

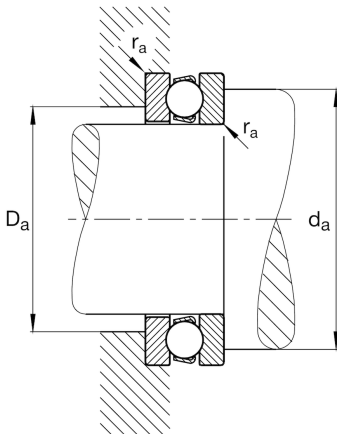
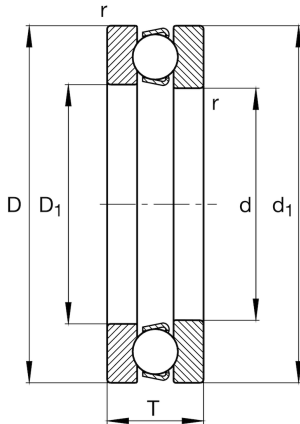
FAG

51144-MP

Axial deep groove ball bearing

Schaeffler ID:
0190613660000Axial deep groove ball bearing 511..-MP,
single direction, solid brass cage

Technical information

**Main Dimensions & Performance Data**

d	220 mm	Inner diameter shaft washer
D	270 mm	Outer diameter housing washer
T	37 mm	Height
C_a	168.000 N	Basic dynamic load rating, axial
C_{0a}	730.000 N	Basic static load rating, axial
C_{ua}	21.300 N	Fatigue load limit, axial
n_G	1.870 1/min	Limiting speed
n_{gr}	1.600 1/min	Reference speed
	4,508 kg	Weight

Dimensions

r_{min}	1,1 mm	Minimum chamfer dimension
D_1	223 mm	Inner diameter housing washer
d_1	267 mm	Outer diameter shaft washer

Mounting dimensions

$d_{a min}$	250 mm	Minimum diameter shaft shoulder
$D_{a max}$	240 mm	Maximum diameter of housing shoulder
$r_{a max}$	1 mm	Maximum filled radius

Calculation factors

A	3	Minimum load factor
---	---	---------------------

Temperature range

T_{min}	-30 °C	Operating temperature min.
T_{max}	200 °C	Operating temperature max.